



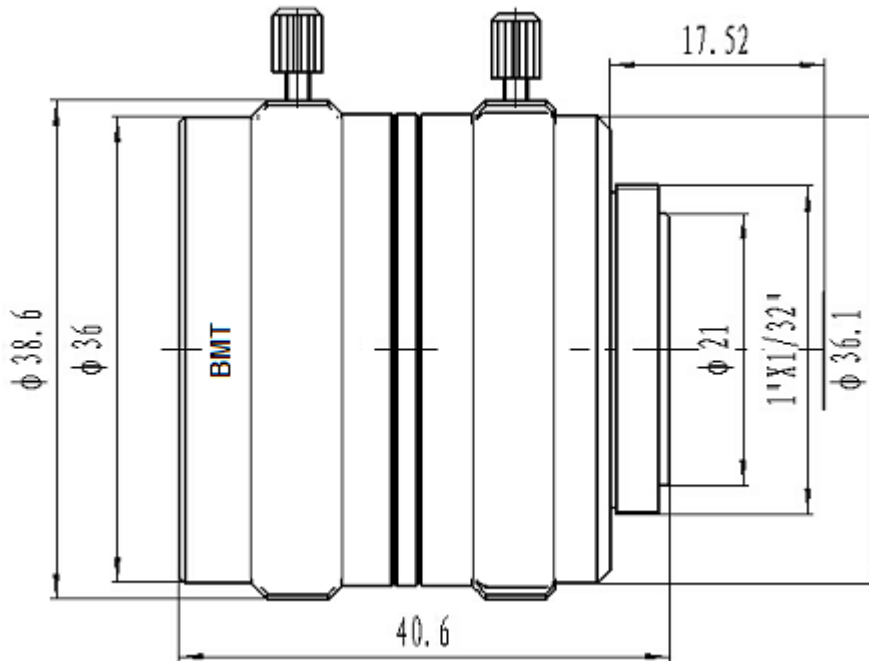
“Contribute to Make in India Program”



2/3" MEGA PIXEL CAMERA LENS BMT-18085MP

Key Highlights

- 2/3" imager format High performance mega-pixel C-Mount camera lens
- Very Low distortion
- Highly compact
- Iris & Focus locking screws
- 12 Month warranty
- Made of Metal



Model No		BMT-18085MP
Resolution		5 MP
Focal Length		8 MM
Iris Range		F# 1/1.8
Lens Mount		C-Mount
Imager Format		2/3"
Angle of View		D (68.6°) x H (54.9°) x V(41.1°)
Control	Focus	Manual
	Iris	Manual
Back Focal Length		12.03 MM
Working Temperature (degree celcius)		-10~+50
Weight		98 gm

India Business

BalaJi MicroTechnologies Pvt. Ltd (BMT)

(A Unit of B.B. Group of Companies)

Office: Unit No: 508, 5th Floor, DLF Prime Towers, Okhla Industrial Area, Okhla Phase - 1,
New Delhi - 110020, INDIA

Tel # +91-11-49068623

India: sales.india@balaji-microtechnologies.com

overseas: sales.overseas@balaji-microtechnologies.com

Website: <http://www.balaji-microtechnologies.com/>