



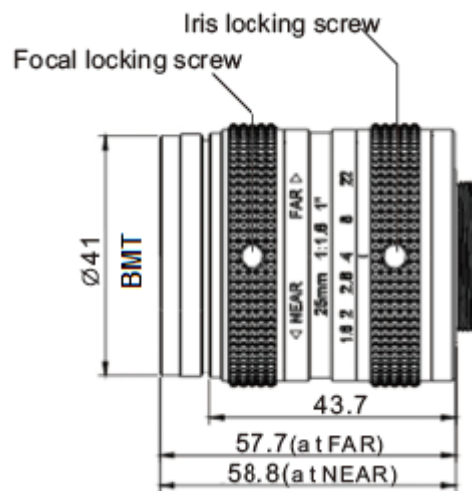
“Contribute to Make in India Program”



## 1" FA 5 MEGA PIXEL LENS SERIES BMT-1425M5

### Key Highlights

- “BMT” is trademark of “BalaJi MicroTechnologies Pvt. Ltd.”
- 1" imager format High performance mega-pixel C-Mount camera lens
- Very Low distortion
- Highly compact
- Iris & Focus locking screws
- Made up of metal



Model No		BMT-1625M5
Resolution		5 MP
Focal Length		25 MM
Iris Range		F1.6-F22
Lens Mount		C-Mount
Imager Format		1"
Field of View	1"	36.2°× 29°× 21.8°
	2/3"	25°×20°× 15°
Control	Focus	Manual
	Iris	Manual
Distortion	1"	-2.05% @ y=8mm
	2/3"	-0.97% @ y=5.5mm
back focal length		12.7 mm
Filter Thread		M33.7×0.5mm
Working Temperature (degree celcius)		-10~+50
Weight		149 gm

### India Business

BalaJi MicroTechnologies Pvt. Ltd (BMT)

(A Unit of B.B. Group of Companies)

Office: Unit No: 508, 5th Floor, DLF Prime Towers, Okhla Industrial Area, Okhla Phase - 1,

New Delhi - 110020, INDIA

Tel # +91-11-49068623

India: sales.india@balaji-microtechnologies.com

overseas: sales.overseas@balaji-microtechnologies.com

Website: <http://www.balaji-microtechnologies.com/>