



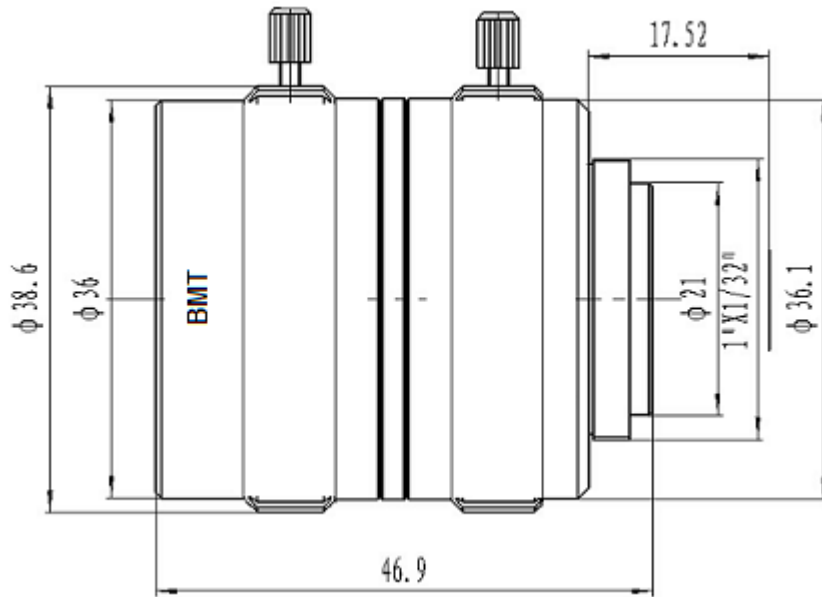
“Contribute to Make in India Program”



## 2/3" MEGA PIXEL CAMERA LENS BMT-16255MP

### Key Highlights

- 2/3" imager format High performance C-Mount camera lens
- Very Low distortion
- Highly compact
- Iris & Focus locking screws
- 12 Month warranty
- Made of Metal



<b>Model No</b>		<b>BMT-16255MP</b>
<b>Resolution</b>		<b>5 MP</b>
<b>Focal Length</b>		<b>25 MM</b>
<b>Iris Range</b>		<b>F# 1.6</b>
<b>Lens Mount</b>		<b>C-Mount</b>
<b>Imager Format</b>		<b>2/3"</b>
<b>Angle of View</b>		<b>D (25°) x H (20°) x V (18°)</b>
<b>Lens Structure</b>		<b>7 Elements, 5 Groups</b>
<b>Spectral Transmission</b>		<b>485~649nm , &gt; 82%</b>
<b>MOD</b>		<b>0.5 M</b>
<b>Control</b>	<b>Focus</b>	<b>Manual</b>
	<b>Iris</b>	<b>Manual</b>
<b>Back Focal Length</b>		<b>12 MM</b>
<b>Working Temperature (degree celcius)</b>		<b>-10~+50</b>
<b>Weight</b>		<b>110 gm</b>

### India Business

**BalaJi MicroTechnologies Pvt. Ltd (BMT)**

*(A Unit of B.B. Group of Companies)*

**Office:** Unit No: 508, 5th Floor, DLF Prime Towers, Okhla Industrial Area, Okhla Phase - 1,  
**New Delhi - 110020, INDIA**

**Tel #** +91-11-49068623

**India:** sales.india@balaji-microtechnologies.com

**overseas:** sales.overseas@balaji-microtechnologies.com

**Website:** <http://www.balaji-microtechnologies.com/>